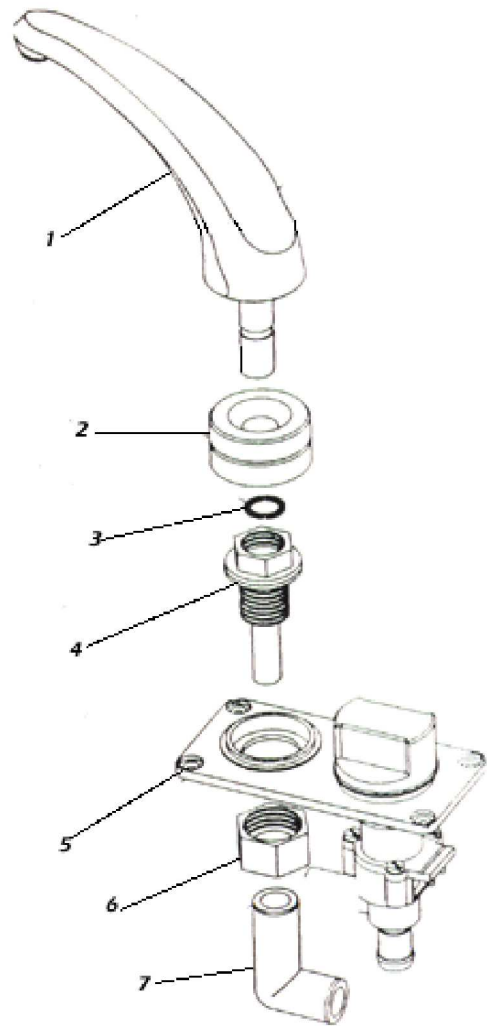


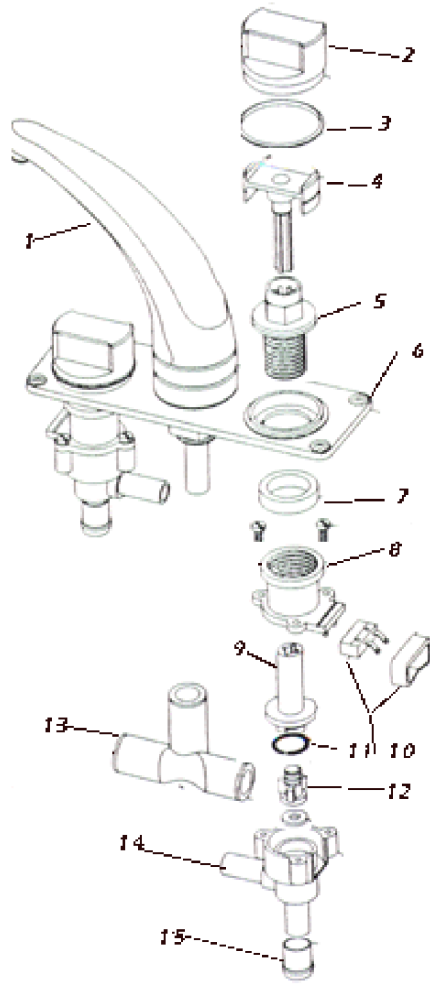
## PRESSURS SWITCH



1 Tap Spout	2 Gland Screw	3 "O" Ring
4 Socket	5 Plate, Two Hole	6 Securing Nut
7 Elbow Assy.		

## MICROSWITCH

www.smallmotorhome.co.uk



1 Spout Assy.	2 Tap Knob	3 "D" Ring
4 Drive Spindle	5 Securing Screw	6 Plate, 3 Hole
7 Gap Filler Ring	8 Upper Body	9 Contact Breaker
10 Microswitch Kit	11 "O" Ring	12 Valve Carrier
13 Tee Piece Assy.	14 Lower Body	15 Adapter

**BACK**